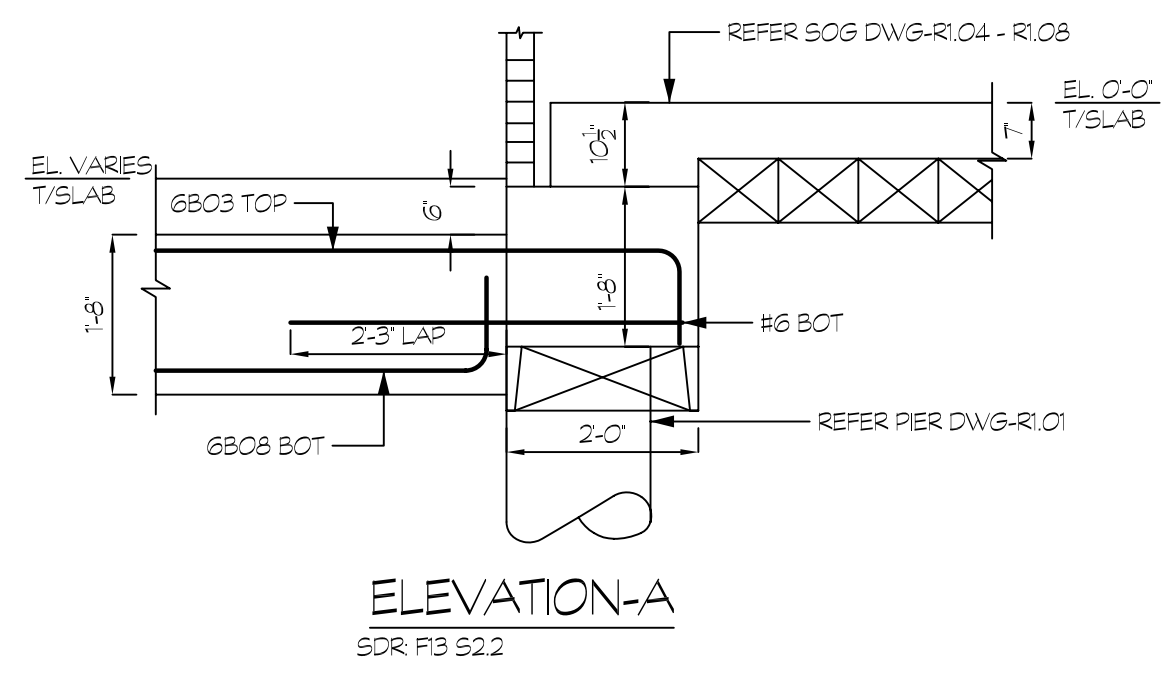


NOTES :-
REFER R1.03 FOR SEC-1 TO 7, TYPICAL SEC & BBS



GRADE BEAM REBAR LAYOUT
SDR S11

CONFIRM DIMENSION AREA DRAWING SHEET A1.0 & A1.0 BOTH ARE CONFLICT WITH STRUCTURAL PLAN SHEET S11, WE FOLLOWED PER S11

SHEET NO.
R1.02

SUBMITTAL
FOR APPROVAL 02-26-2014

FIELD NOTE
All drawings, specifications and bar placing schedules are the sole property of FABCO, Inc. Any dissemination or distribution of the aforementioned transmittals, other than to the intended recipient as indicated on the transmittal, is strictly prohibited. If you are not the intended recipient, including placing schedules, are suggested methods of placement in accordance with the CRSI Manual of Standard Practice. Physical reinforcement to be verified on site by a certified engineer.

PROJECT INFORMATION
SAMPLE DRAWING

