

DRILLED PIERS LAYOUT  
SDR, S1.0 & S1.1

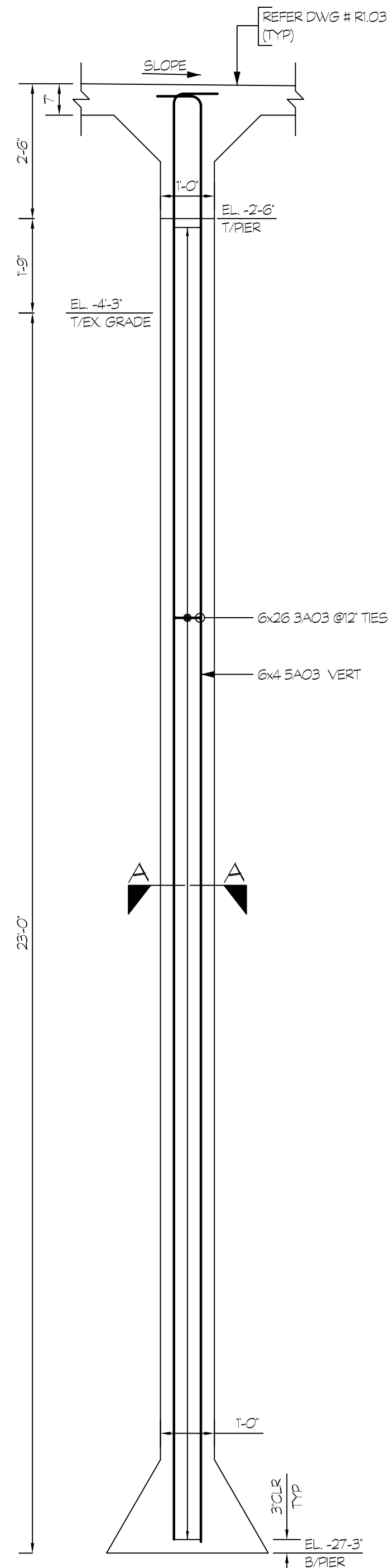


SHEET NO.  
R1.01

SUBMITAL  
FOR APPROVAL  
01-21-14

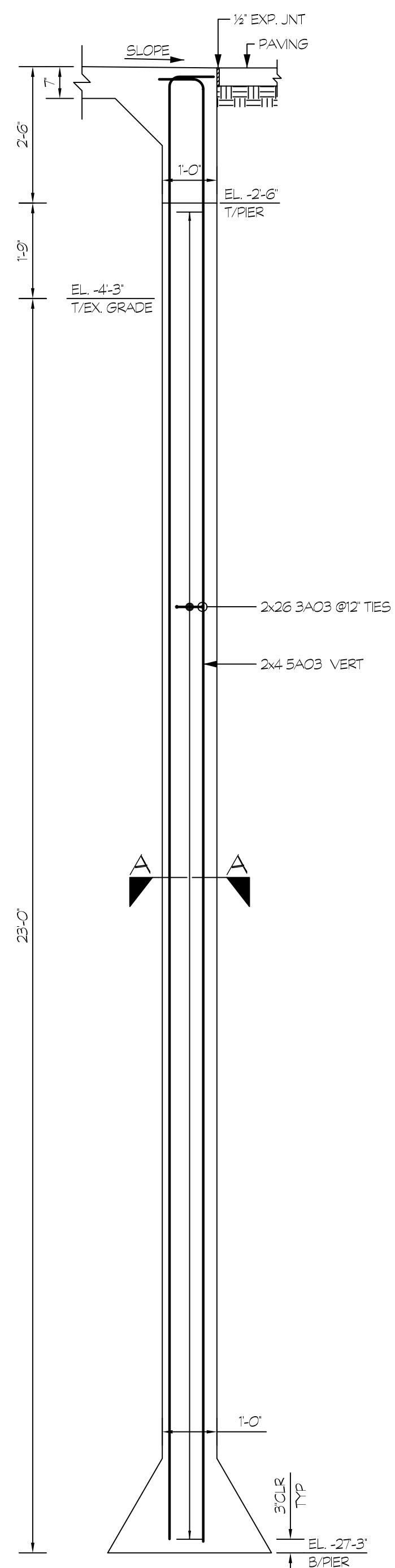
FIELD NOTE  
All drawings, specifications and bar placing schedules are the sole property of FABCO, Inc. Any dissemination or distribution of the drawings, specifications or bar placing schedules to any other party without the written consent of FABCO, Inc. is strictly prohibited. All materials and components including placing schedules, are suggested methods of placements in accordance with the CRSB Manual of Standard Practice. Physical reinforcement to be verified on site by a certified engineer.

PROJECT INFORMATION  
SAMPLE DRAWING

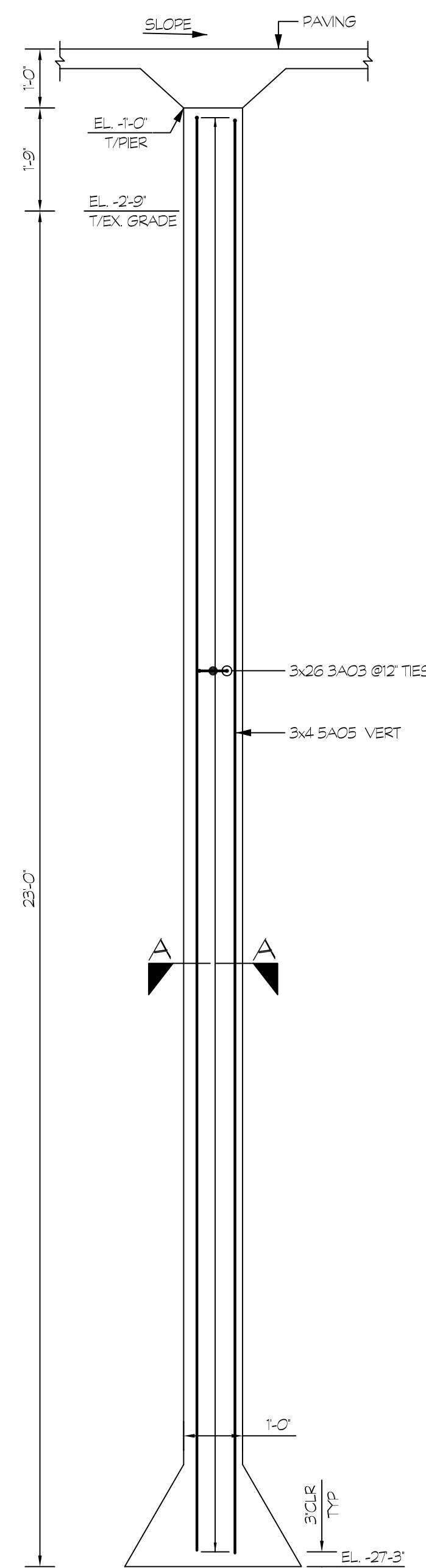


PIER MARK- 12/36  
SDR S10.S11.G/S41 & D/S4.2

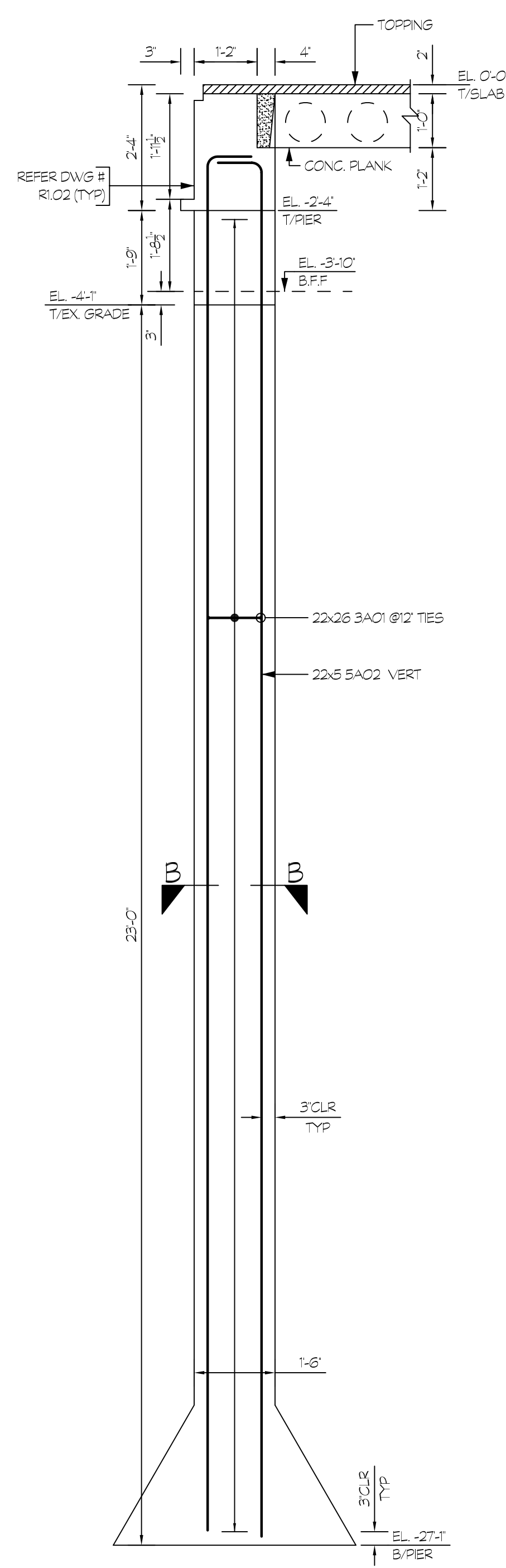
(CONFIRM REINF. TYP)



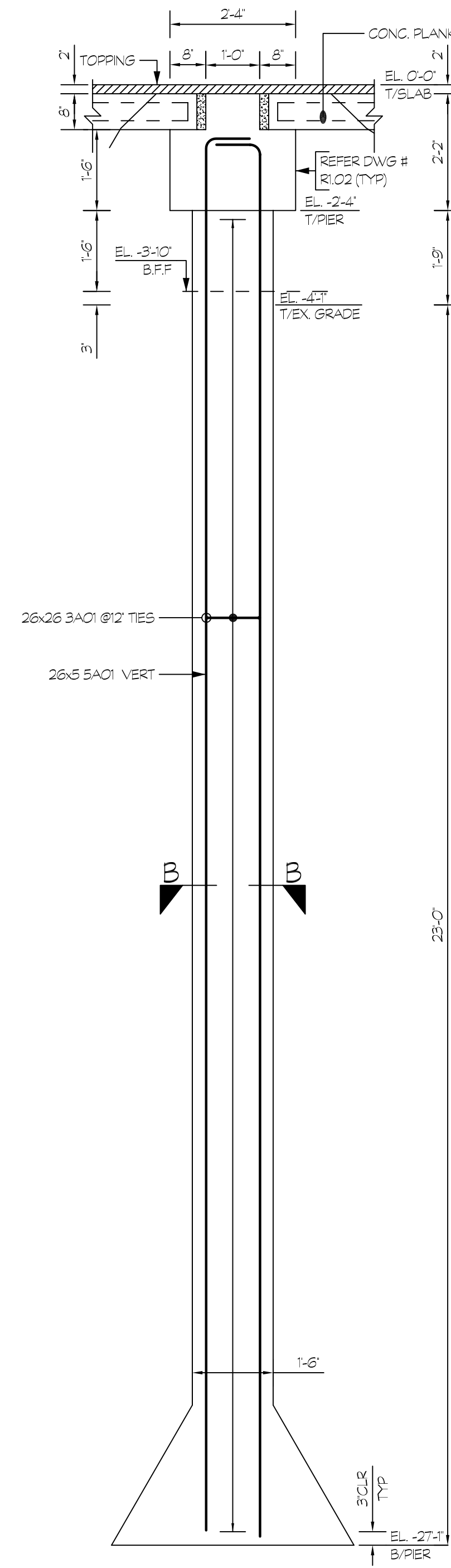
PIER MARK- 12/36A  
SDR S10.S11.G/S41 & D/S4.2



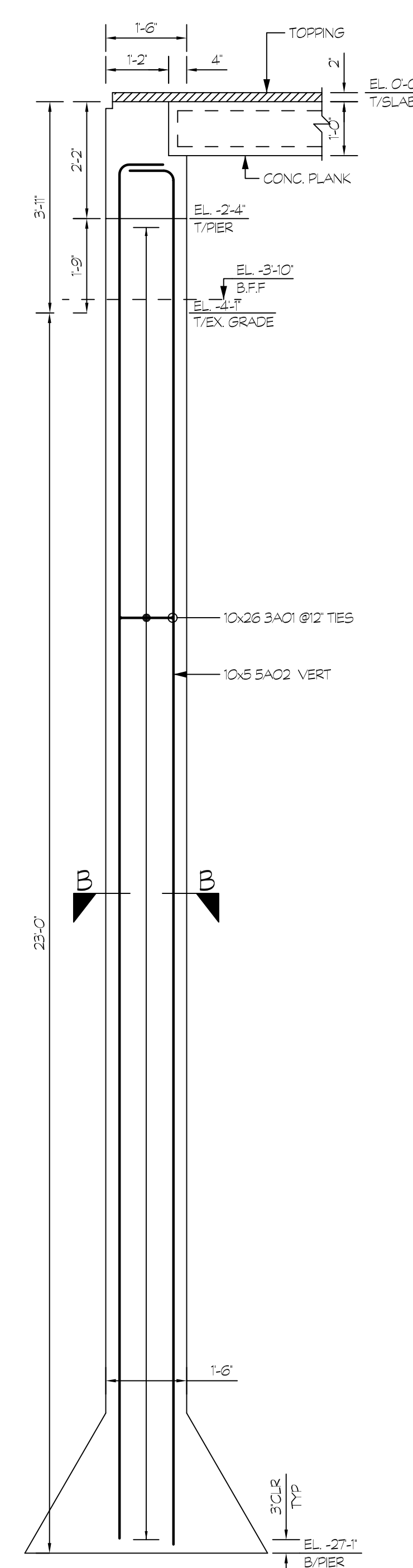
PIER MARK- 12/36B  
SDR S10.S11.G/S41 & D/S4.2



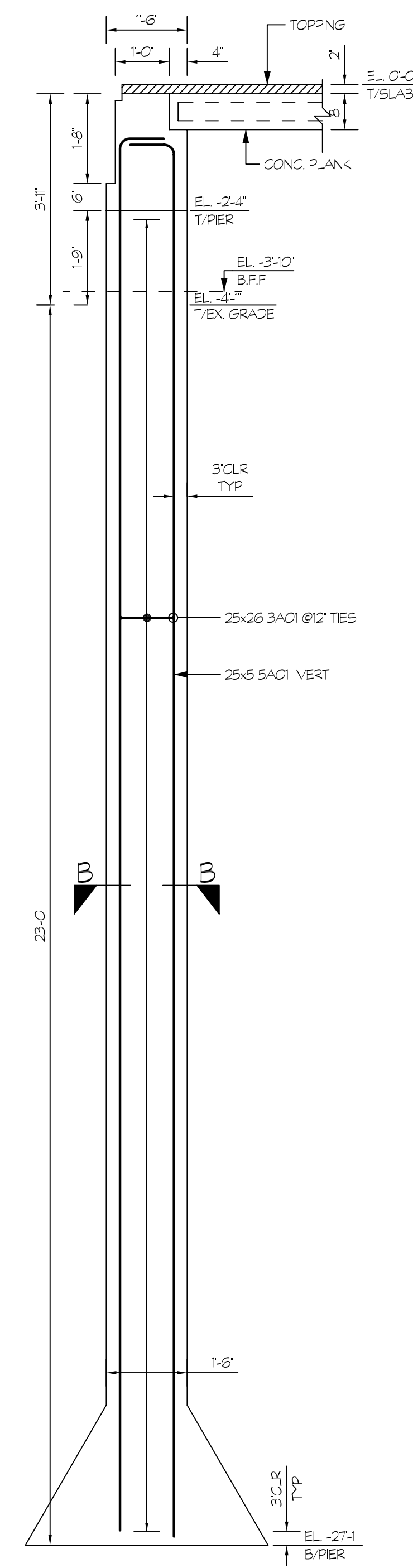
PIER MARK- 18/54  
SDR S10.S11.G/S41 & S4.2



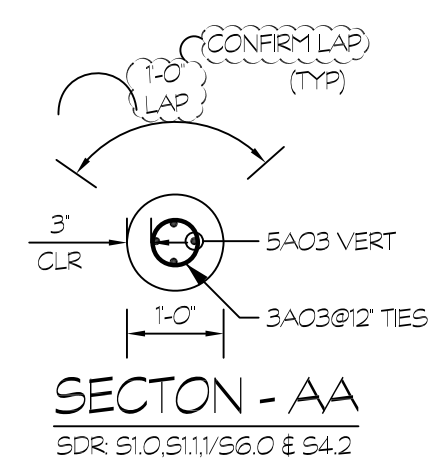
PIER MARK- 18/54A  
SDR S10.S11.C/S4.0 & S4.2



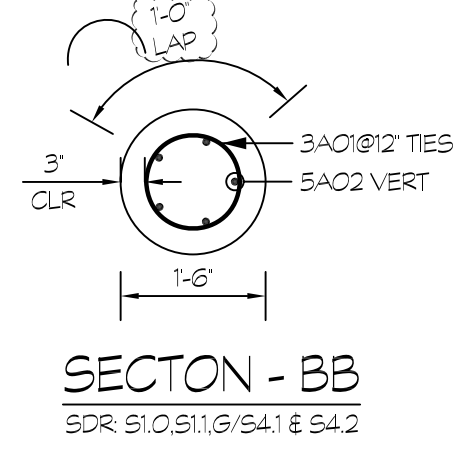
PIER MARK- 18/54B  
SDR S10.S11.H/S4.1 & S4.2



PIER MARK- 18/54C  
SDR S10.S11.A/S4.0 & S4.2

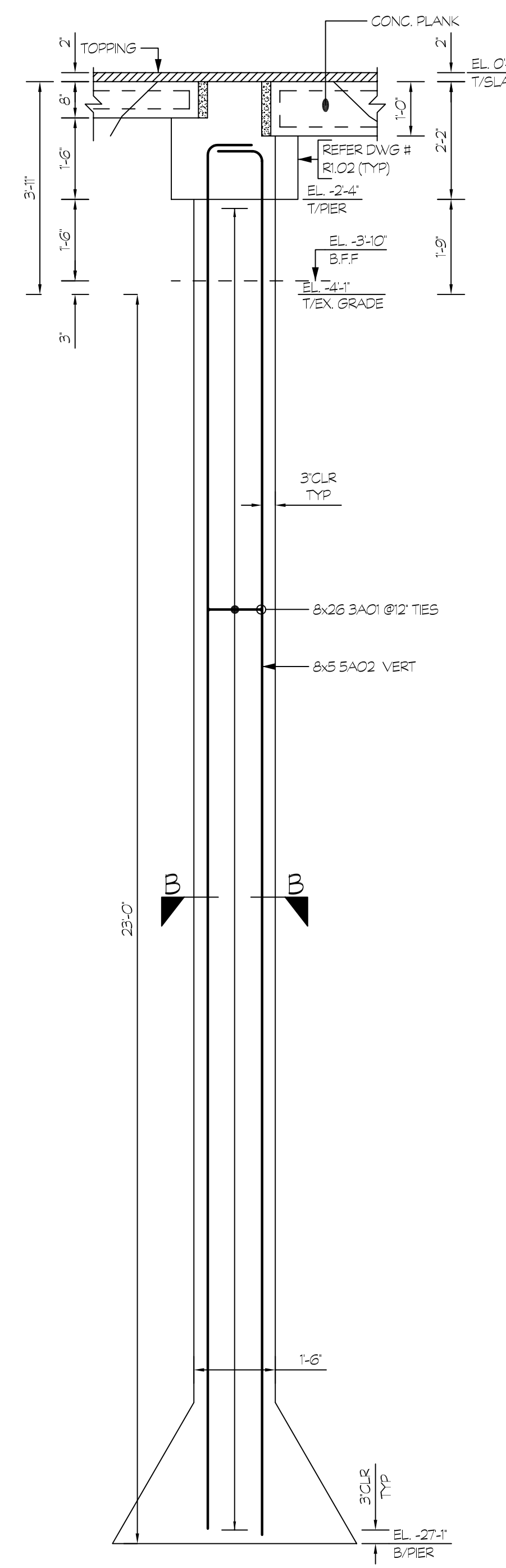


SECTION - AA  
SDR S10.S11.V/S6.0 & S4.2

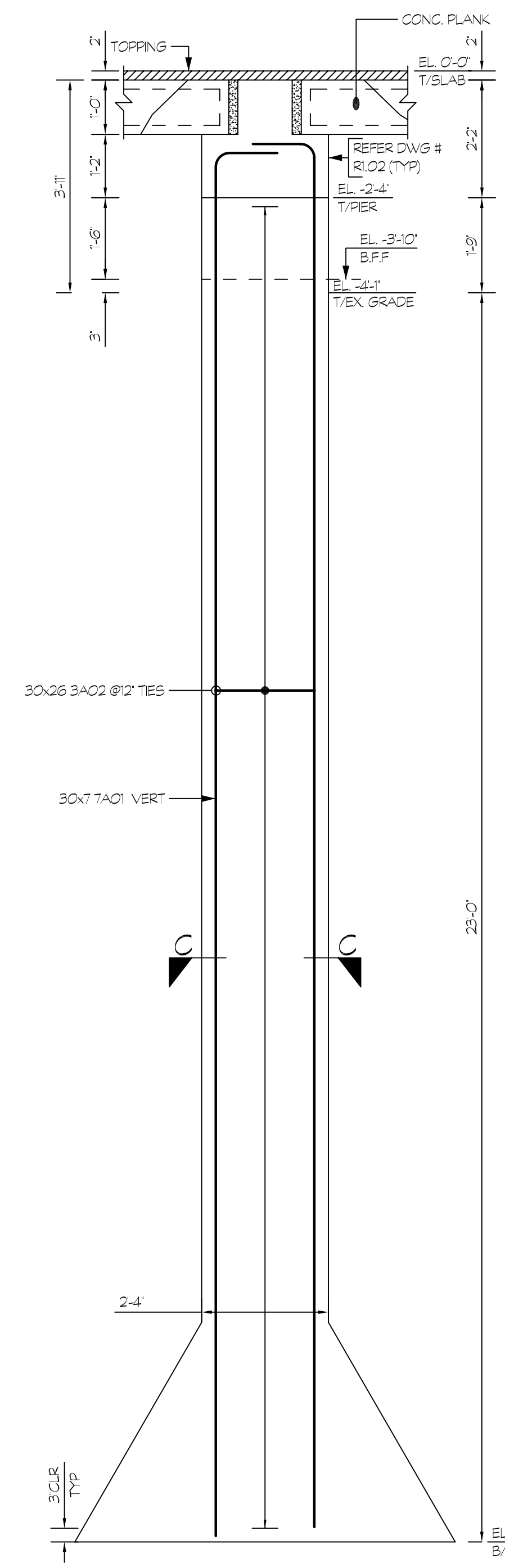


SECTION - BB  
SDR S10.S11.G/S4.1 & S4.2

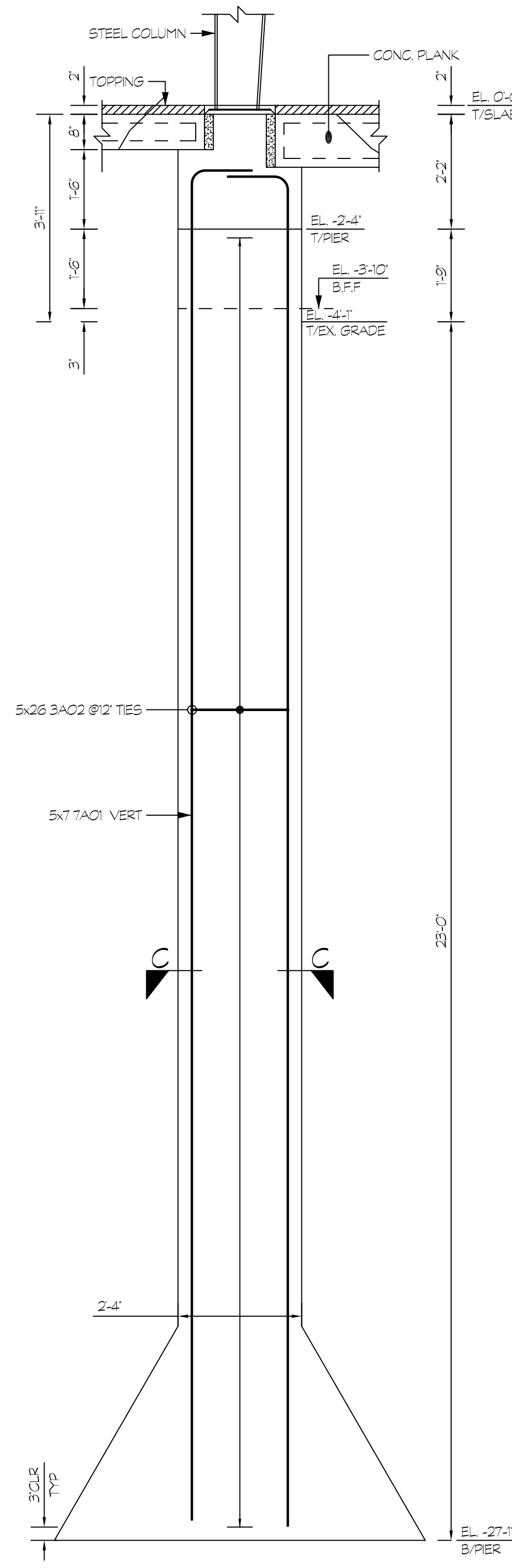
All drawings, specifications and bar placing schedules are the sole property of FABco, Inc. Any dissemination or distribution of the information contained herein is prohibited without the written consent of FABco, Inc. All drawings and specifications are subject to change without notice. All materials and methods of construction shall conform to the latest editions of the specifications including placing schedules, are suggested methods of placements in accordance with the CRSI Manual of Standard Practice. Physical reinforcement to be verified on site by a Certified Engineer.



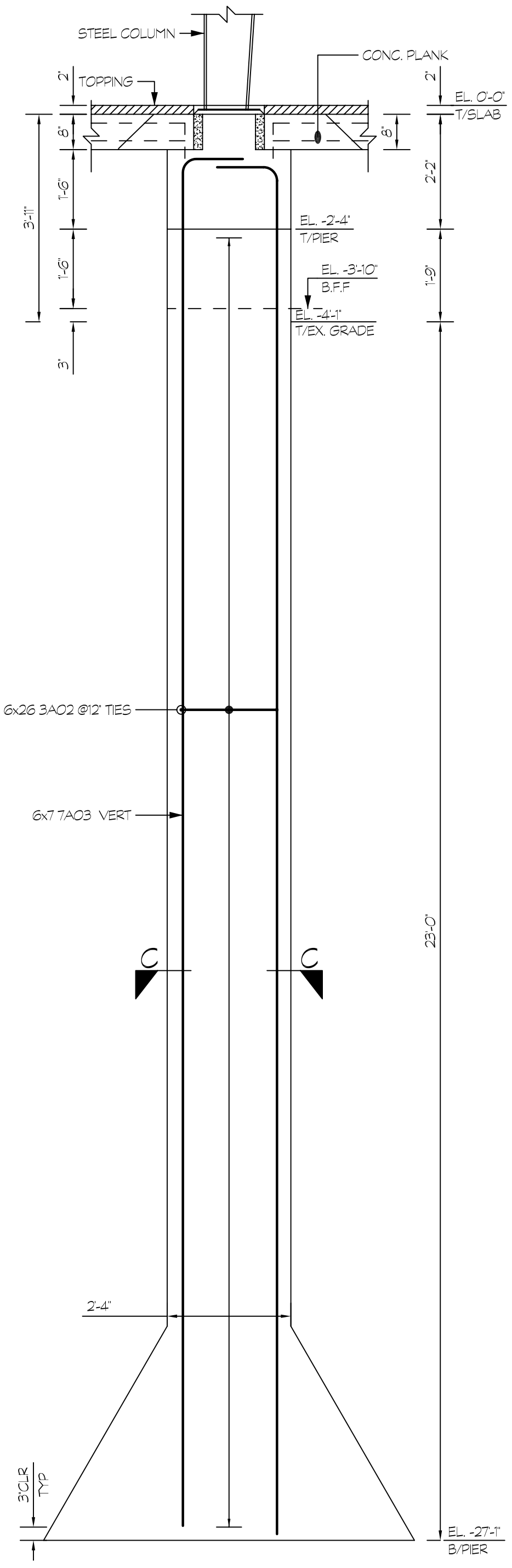
PIER MARK- 18/54D  
 SDR 91.0, S11, F/S41 & S42



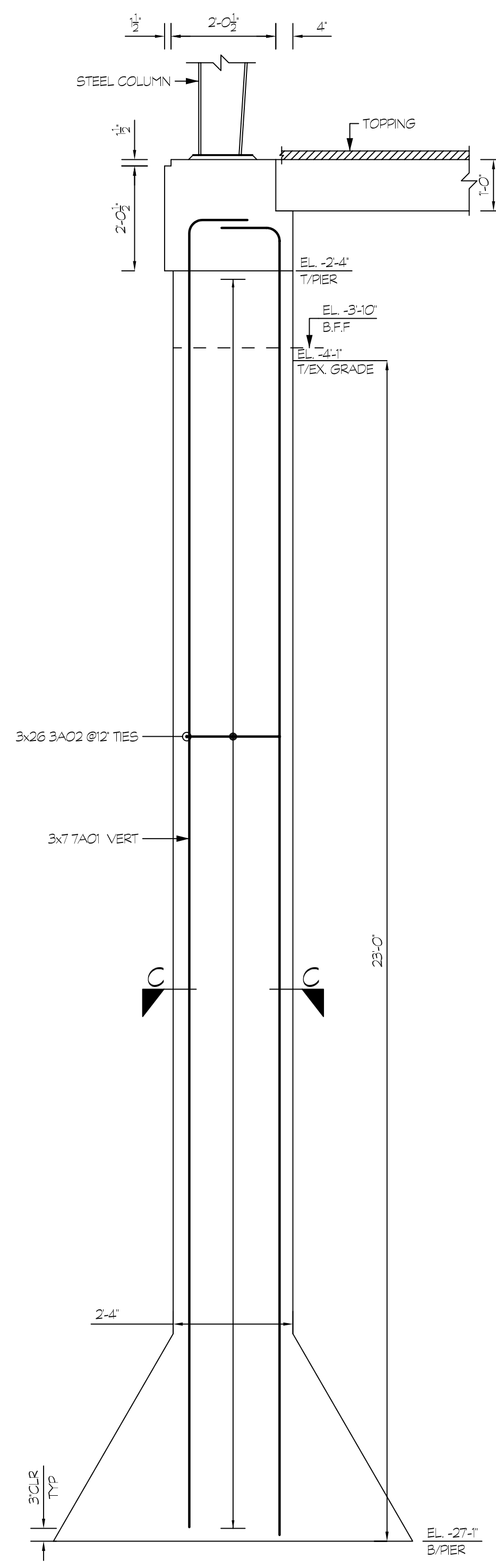
PIER MARK- 28/84  
 SDR 91.0, S11, F/S41 & S42



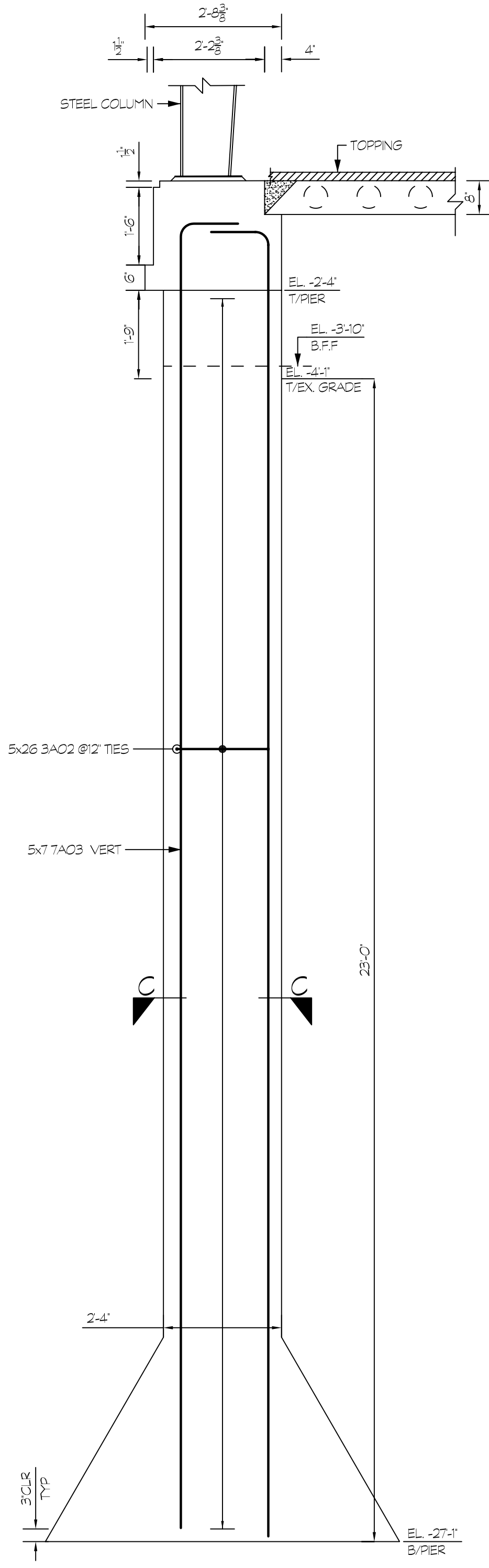
PIER MARK- 28/84B  
 SDR 91.0, S11, F/S41 & S42



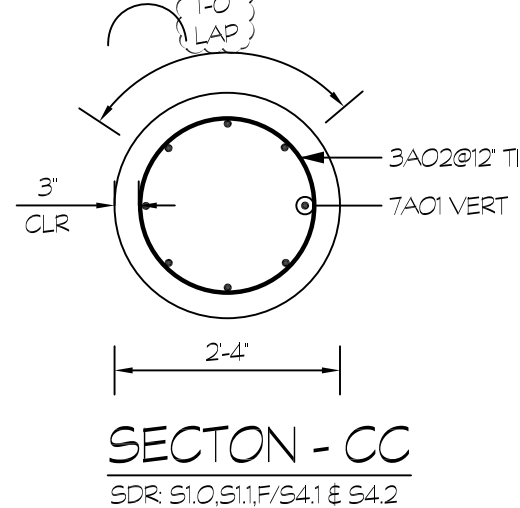
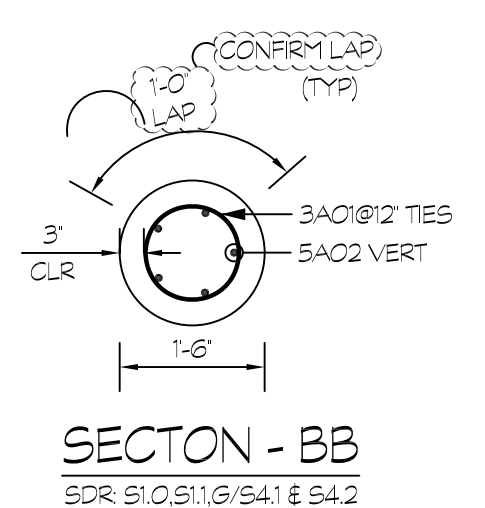
PIER MARK- 28/84C  
 SDR 91.0, S11, F/S41 & S42



PIER MARK- 28/84D  
 SDR 91.0, S11, F/S41 & S42



PIER MARK- 28/84E  
 SDR 91.0, S11, F/S41 & S42



Release Number: R1.01-R1.01B

		BAR LIST														
Bar Mark	Qty	Size	Total Length	Type	'A'	'B'	'C'	'D'	'E'	'F'	'G'	'H'	'J'	'K'	'O'	'R'
3A01	2366	#3	4'-1 1/2"	T3			3'-1 1/2"				1'-0"				1'-0"	
3A02	1274	#3	6'-9"	T3			5'-9"				1'-0"				1'-10"	
3A03	286	#3	2'-6 3/4"	T3			1'-6 3/4"				1'-0"				0'-6"	
5A01	255	#5	26'-8"	2	0'-10"	25'-10"										
5A02	200	#5	26'-4"	2	0'-10"	25'-6"										
5A03	32	#5	27'-8"	2	0'-10"	26'-10"										
5A05	12	#5	25'-2"	2	0'-10"	24'-4"										
7A01	266	#7	26'-8"	2	1'-2"	25'-6"										
7A03	77	#7	27'-0"	2	1'-2"	25'-10"										

